



9525 Monroe Road
 Suite 100
 Charlotte NC 28270
 Phone: 704.542.6876 Fax: 704.910.8065
 customerservice@CritiCoreInc.com

Product Specification

Style Number: 12 F2 3165 N180 01

Revision: AS

PO # _____

Release Date: 01.02.18

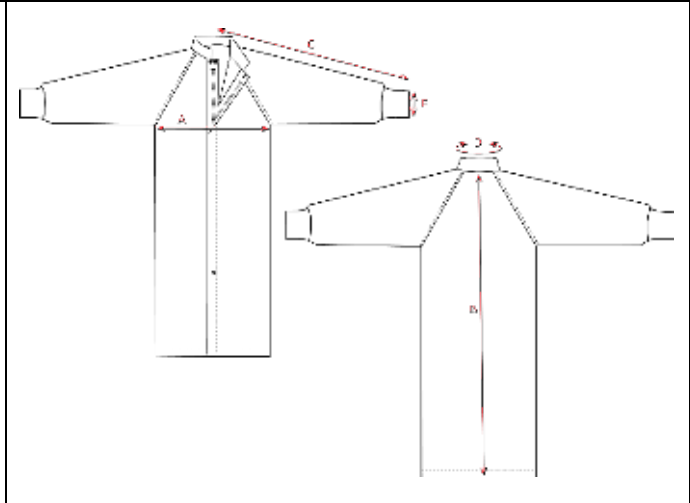
Inspected by _____

General Description

Garment Type	Frock
Collar	Mandarin
Sleeves	Raglan
Cuff	Knit, Gray Belltron® ESD (PB10)
Front Enclosure	Coil Zipper
Fabric	Integrity® 1800
Thread	100% Polyester Tex #45 and #21
Seams	Pre-serged / Felled
Pattern	3165

Construction Details

- Snaps on top Zipper at Neck – 2 Posts and 1 Socket
- Cuffs: Gray Belltron® ESD Knit 8" x 3"
Size L and above – 8" x 3.5"
- Zipper: Open top and bottom poly coil/nickel Slide with Wide Pull dropped 1" from Collar
- Fly Stiffener: 250 Denier White Polyester 1.25" on both sides of Front Placket
- 1 Set of Snaps placed 2" below bottom of Zipper
- For Details on Label and Placement Refer to Config Specification



Finished Measurement

Ref.	Feature	XS	S	M	L	XL	2XL	3XL	4XL	5XL	6XL	7XL	8XL	9XL	10XL	Tolerance	Actual
A	Chest	41	45	49	53	57	61	65	69	73	76	81	86	91	96	1"	
B	Back length	41	42	43	44	45	46	47	48	49	49 ½	52	52 ½	54	54 ½	1"	
C	Sleeve length	35	36	37	38	39	40	40	40	40	40	41 ½	43	44 ½	45	.5"	
D	Collar	16	17	17 ½	18	18 ½	19 ½	20 ½	21 ½	22	22	22	23	24	25	.5"	
E	Knit Cuff	6	6	6	7	7	7	7	7	7	7	7	7	7	7	.5"	
F	Zipper length	22	23	23	24	25	25	25	25	25	25	25	25	25	25	.5"	

Shorts	Longs
-3" Body Length	+2" Body Length
-3" Sleeve Inseam	+2" Sleeve Inseam

Ensure cuff is flat to measure. Collar Tolerance Only –Size 3XL allow +/- ¼" 4XL and above +/- 1"